

# QUALITEX

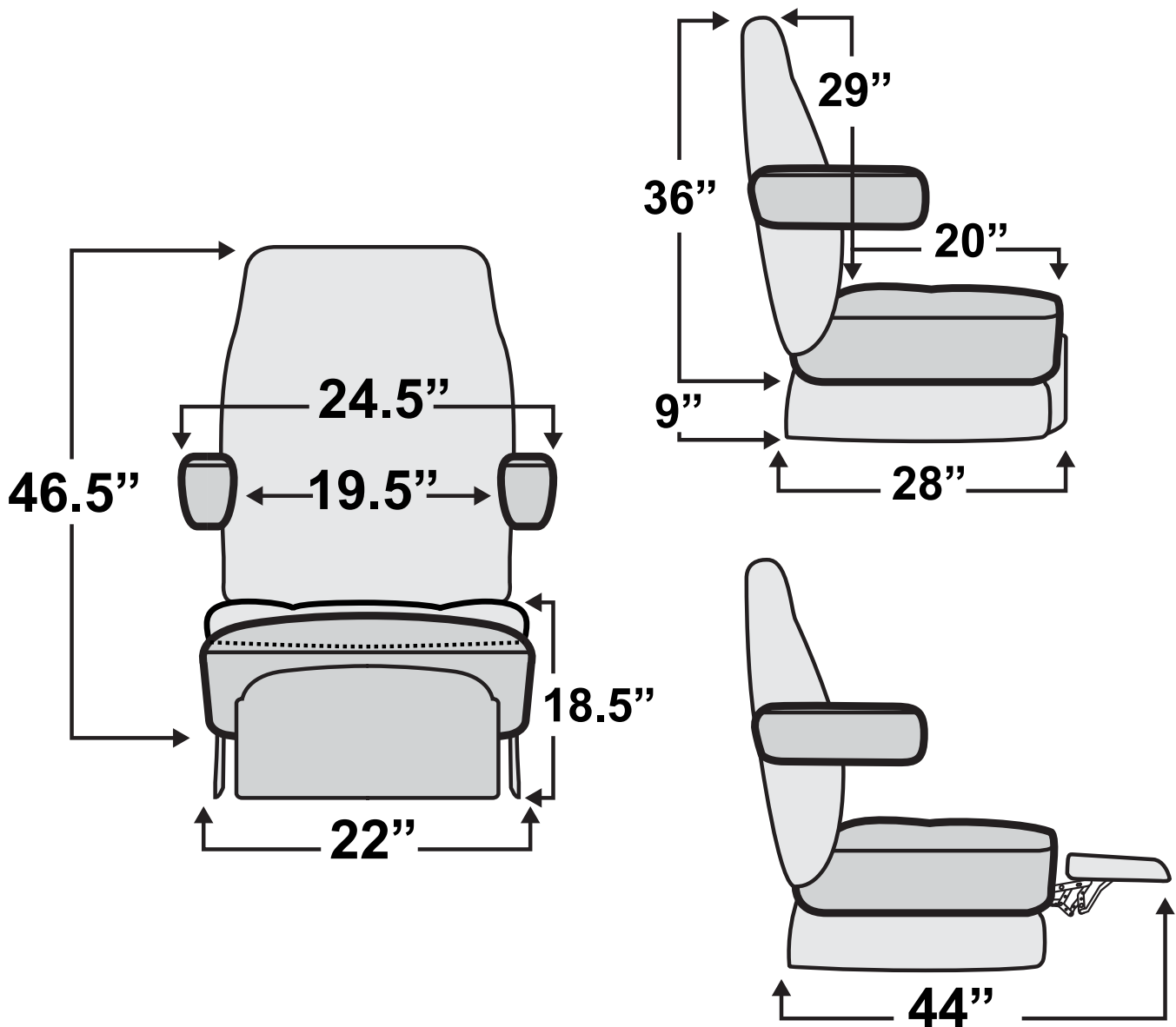
*Comfort on the Go*

HAVE QUESTIONS? Call us toll-free!

800-454-1801

## Ethos LX Sprinter Captain's Chair

Measurements & Seat Dimensions



REVISED ON APR 15 2024